

ROKK KAYAK TRACK BASE

Part No. RLS-407



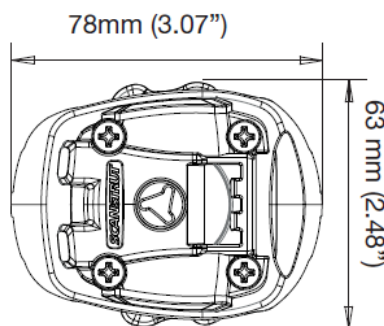
The new Kayak Track Base is the new ROKK mini compatible solution for mounting your technology on your kayak. Simply slide, twist, lock with one hand and your device is ready for a day out on the water.

Material	30% glass filled nylon
Operating temperature	-20°C to + 60°C
Maintenance	None required
Installation time	- 30 seconds
UV rating	No degradation
Clamp profile thickness	From 1.8mm - 4mm

Product Highlights

1. Compatible with all major kayak track systems.
2. Compatible with ROKK mini system
3. Quick and easy one hand install
4. For use in fishing and recreation kayaks

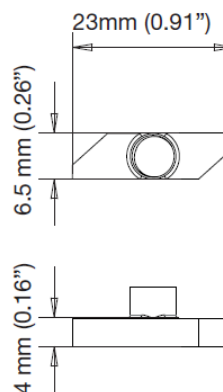
Application



Type

Kayak Track Compatibility

- Hobie H-Track
- Ocean Kayaks
- Wilderness systems SlideTrax
- Yak Attack GearTrac: GT90, GTSL90
- GT175, GT175 Gen 2
- Scotty: Slide Track, 440 Low Profile
- Feelfree UniTrack



For the most direct access to Scanstrut technical support and your local sales representative visit