

# TRANSDUCERS Broadband / CHIRP

## CM265, PM265

# Cavity/ Welded Tank Mount

### CM265—Cavity/Welded Tank Mount



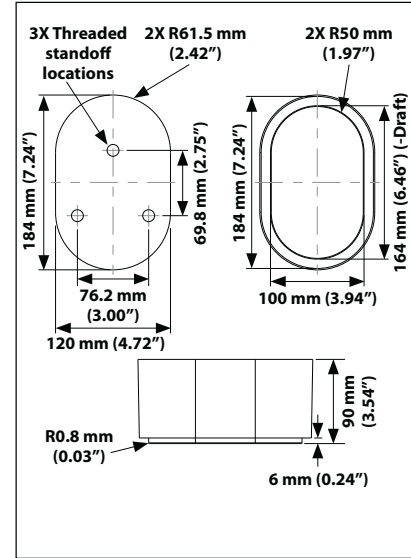
- 8-Internal Broadband Ceramic Assemblies
- Depth & fast-response water-temperature sensor
- Fishing Profile: Commercial and recreational inshore and offshore fishing (deep-water canyon and sea-mount tracking)
- Urethane transducer housing
- Hull Type: Fiberglass or wood
- Curved edge design ideal for wet box installation

#### Low & High-Frequency (LH)

- Low—Chirps from 42 kHz to 65 kHz, 25° to 16° beamwidth
- High—Chirps from 130 kHz to 210 kHz, 10° to 6° beamwidth
- 103 kHz of total bandwidth from one transducer
- Covers popular fishing frequencies of 50 and 200 kHz plus everything else in the bandwidth

#### Low & Medium-Frequency (LM)

- Low—Chirps from 42 kHz to 65 kHz, 25° to 16° beamwidth
- Medium—Chirps from 85 kHz to 135 kHz, 16° to 11° beamwidth
- 73 kHz of total bandwidth from one transducer
- Covers popular fishing frequencies of 50, 88, and 107 kHz plus everything else in the bandwidth



Medium-frequency benefits include the ability to sound deeper than the high-frequency, along with better target resolution than the low-frequency.

### Parts & Accessories



Stainless Stuffing Tube: 33-541-01

### CM265CLH/LM—Transducers

No Connector	CM265-LH (Low & High-Frequency)	
	CM265-LM (Low & Medium-Frequency)	
	CM265 (Available for Raymarine CP450C)	

### PM265— Pocket/Keel-Mount



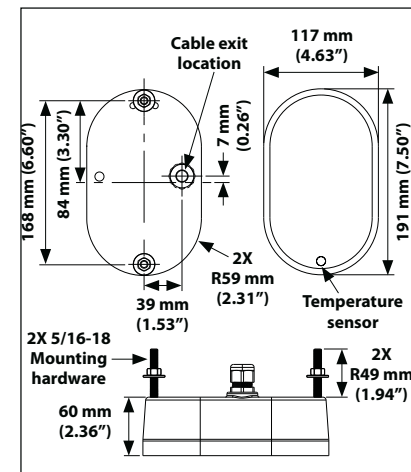
- 8-Internal Broadband Ceramic Assemblies
- Depth & fast-response water-temperature sensor
- Fishing Profile: Commercial and recreational inshore and offshore fishing (deep-water canyon and sea-mount tracking)
- Bronze transducer housing
- Hull Type: Fiberglass only
- Flat edge design ideal for pocket / keel mount installation

#### Low & High-Frequency (LH)

- Low—Chirps from 42 kHz to 65 kHz, 25° to 16° beamwidth
- High—Chirps from 130 kHz to 210 kHz, 10° to 6° beamwidth
- 103 kHz of total bandwidth from one transducer
- Covers popular fishing frequencies of 50 and 200 kHz plus everything else in the bandwidth

#### Low & Medium-Frequency (LM)

- Low—Chirps from 42 kHz to 65 kHz, 25° to 16° beamwidth
- Medium—Chirps from 85 kHz to 135 kHz, 16° to 11° beamwidth
- 73 kHz of total bandwidth from one transducer
- Covers popular fishing frequencies of 50, 88, and 107 kHz plus everything else in the bandwidth



Medium-frequency benefits include the ability to sound deeper than the high-frequency, along with better target resolution than the low-frequency.

### Parts & Accessories



Stainless Stuffing Tube: 33-541-01

### PM265/LM—Transducers

No Connector	PM265-LH (Low & High-Frequency)	
	PM265-LM (Low & Medium-Frequency)	
	PM265 (Available for Raymarine CP450C)	